



Item no: 0109853

Suction cup OF55x150P Polyurethane 40, 3/8" NPSF female

This program of oval suction cups has characteristics that are specially suited for handling of metal-sheet material.

- Suitable for flat and rough surfaces.
- Fair stability and little inherent movement.
- Recommended when the lifting force is parallel to the surface of the object.
- Cleats prevent thin, sensitive objects from being deformed and give extra friction when the lifting force is parallel to the surface of the object.
- DURAFLEX® are suction cups manufactured in a specially developed material that features the elasticity of rubber and wear resistance of polyurethane. The material does not leave any marks on the objects handled.

General

Application	CorrugatedCardboard, PlasticInjectionMoldedParts, DrySheetMetal
Suction cup shape	Oval Flat
Material	Polyurethane (PU40)
Suction cup model	OF
Weight	109 g
Volume	37 cm ³
Suction cup model	OF55x150P PU40
Movement, vertical max.	3 mm
Curve radius, min.	150 mm

Fitting

Fitting option	None
Fitting size	1/8"
Fitting style	Female
Fitting type	NPSF-thread

Dimension

Height	34 mm
Outer diameter	154 mm
Width	59 mm


Performance - lifting forces

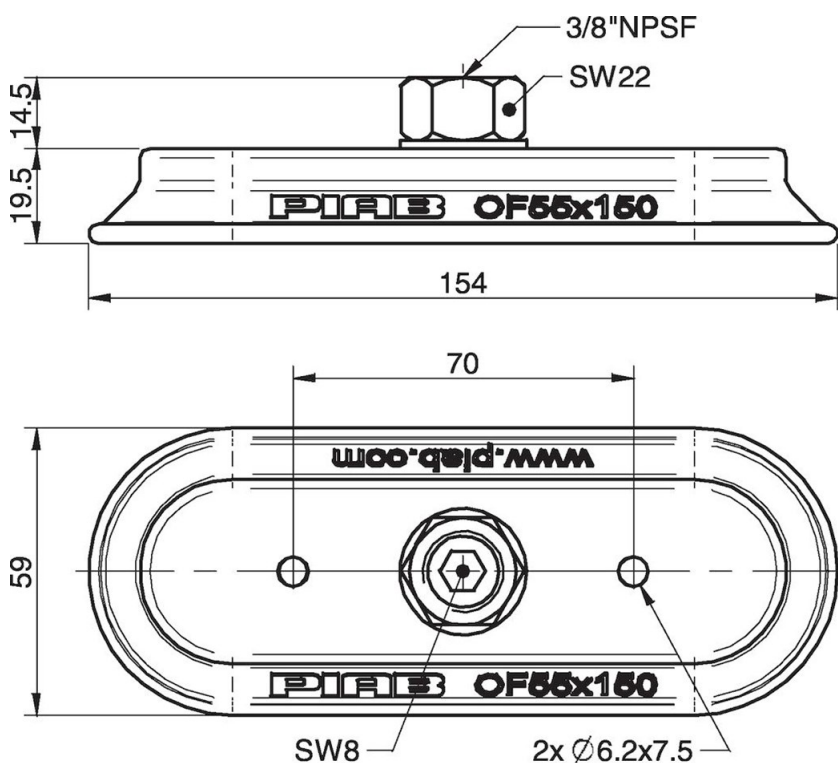
	OF55x150P PU40	\uparrow	\rightarrow
20 -kPa		131 N	155 N
60 -kPa		366 N	350 N
90 -kPa		527 N	455 N

Material

Name	PU40
Colour	RedTransparent
Temperature	10 - 50 °C
Hardness	40 °Shore A

	PU40
Alcohol	n/a
Concentrated acids	+
Ethanol	+
Hydrolysis	+
Methanol	-
Oil	+++
Oxidation	-
Petrol	+
Wear resistance	+++
Weather and ozone	+++

Dimensional drawings 



Values specified in the data sheet are tested at:

- Room temperature: (20° C [68° F] ± 3° C [5.5° F])
 - Standard atmosphere: (101.3 [29.9 inHg] ± 1.0 kPa [0.3 inHg])
 - Relative humidity: 0-100%
 - Compressed air quality: DIN ISO 8573-1 class 4
-

Accessories

0109908 | Suction cup OF55x150P Polyurethane 60

Spare parts

0109909 | Suction cup OF55x150P Polyurethane 40