



Item no: 0109850

## Suction cup OF40x110P Polyurethane 40, thread insert G3/8" male, with mesh filter

This program of oval suction cups has characteristics that are specially suited for handling of metal-sheet material.

- Suitable for flat and rough surfaces.
- Fair stability and little inherent movement.
- Recommended when the lifting force is parallel to the surface of the object.
- Cleats prevent thin, sensitive objects from being deformed and give extra friction when the lifting force is parallel to the surface of the object.
- DURAFLEX® are suction cups manufactured in a specially developed material that features the elasticity of rubber and wear resistance of polyurethane. The material does not leave any marks on the objects handled.

### General

Application	CorrugatedCardboard, PlasticInjectionMoldedParts, DrySheetMetal
Suction cup shape	Oval Flat
Material	Polyurethane (PU40)
Suction cup model	OF
Weight	48 g
Volume	21 cm <sup>3</sup>
Suction cup model	OF40x110P PU40
Movement, vertical max.	3.1 mm
Curve radius, min.	77 mm

### Fitting

Fitting option	Filter mesh
Fitting size	3/8"
Fitting style	Male
Fitting type	G-thread

Dimension

Height	27.5 mm
Outer diameter	113 mm
Width	43 mm

---

Performance - lifting forces

	OF40x110P PU40	⚠	⚠
20 -kPa		69 N	120 N
60 -kPa		203 N	230 N
90 -kPa		293 N	296 N

---

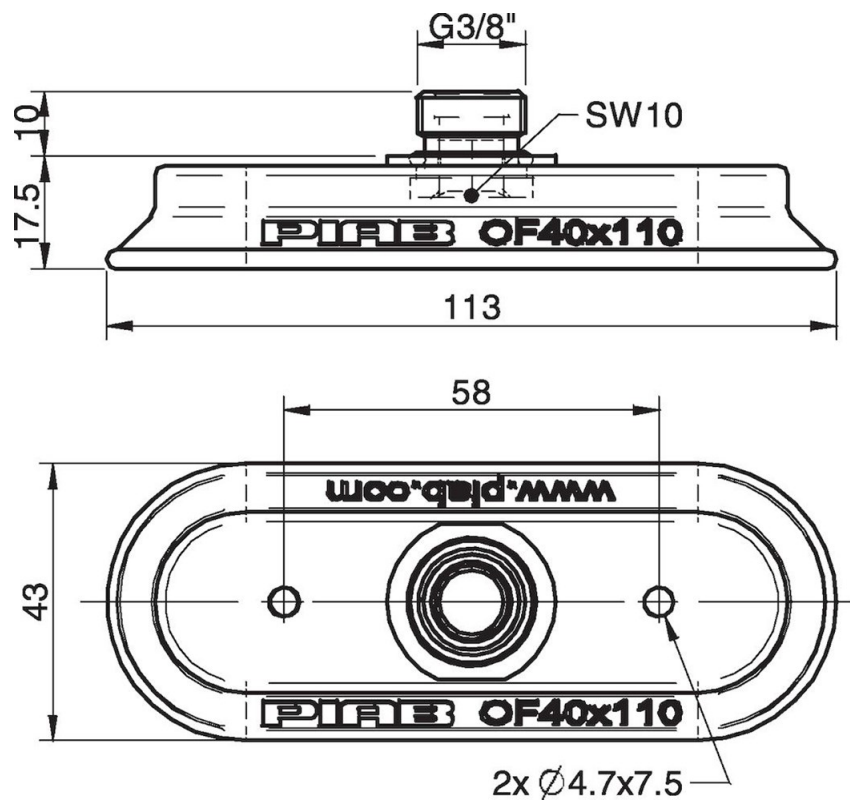
Material

Name	PU40
Colour	RedTransparent
Temperature	10 - 50 °C
Hardness	40 °Shore A

---

	PU40
Alcohol	n/a
Concentrated acids	+
Ethanol	+
Hydrolysis	+
Methanol	-
Oil	+++
Oxidation	-
Petrol	+
Wear resistance	+++
Weather and ozone	+++

---



Values specified in the data sheet are tested at:

- Room temperature: (20°C [68°F] ± 3°C [5.5°F])
- Standard atmosphere: (101.3 [29.9 inHg] ± 1.0 kPa [0.3 inHg])
- Relative humidity: 0-100%
- Compressed air quality: DIN ISO 8573-1 class 4

#### Accessories

0109906 | Suction cup OF40x110P Polyurethane 60

#### Spare parts

0109907 | Suction cup OF40x110P Polyurethane 40

0107148 | Thread insert G3/8" male, with O-ring and mesh filter