



Item no: 0108673

Suction cup OB35x90P Polyurethane 60, thread insert G3/8" male, with mesh filter

The oval suction cups are suitable for handling of long and narrow objects and surfaces when maximum lifting force is desired. Oval suction cups are specially suitable for irregular surfaces and when level compensation is desired. This program of oval suction cups has characteristics that are specially suited... for handling of metal-sheet material.

- Suitable for level adjustment. Can handle objects with height differences and varying shapes, for example embossed or corrugated plates.
- Lifting movement to separate small and thin objects.
- In the two coloured suction cup, the bellows and the sealing lip are of different hardnesses, which makes the suction cup strong and stable and, at the same time, soft and flexible.
- DURAFLEX® are suction cups manufactured in a specially developed material that features the elasticity of rubber and wear resistance of polyurethane. The material does not leave any marks on the objects handled.

General

Application	Mark Free
Suction cup shape	Oval Bellows
Material	Polyurethane (PU60)
Suction cup model	OB
Weight	55 g
Volume	38 cm ³
Suction cup model	OB35x90P PU60
Movement, vertical max.	10.5 mm
Curve radius, min.	30 mm

Fitting

Fitting option	Filter mesh
Fitting size	3/8"
Fitting style	Male
Fitting type	G-thread

Dimension

Height	37.25 mm
Outer diameter	95.6 mm
Width	42.4 mm

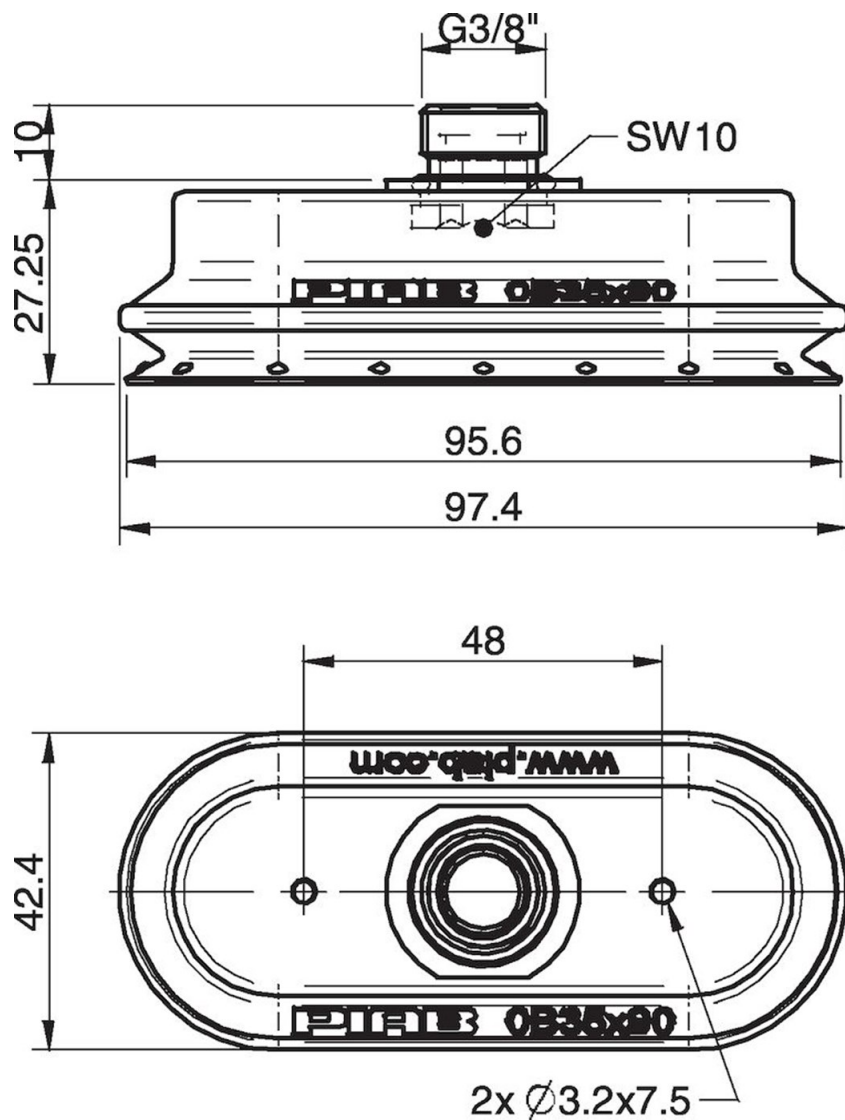
Performance - lifting forces

	OB35x90P PU60	↕	↔
20 -kPa		42 N	32 N
60 -kPa		117 N	85 N
90 -kPa		185 N	111 N

Material

Name	PU60
Colour	GreenTransparent
Temperature	10 - 50 °C
Hardness	60 °Shore A

	PU60
Alcohol	n/a
Concentrated acids	+
Ethanol	+
Hydrolysis	+
Methanol	-
Oil	+++
Oxidation	-
Petrol	+
Wear resistance	+++
Weather and ozone	+++



Values specified in the data sheet are tested at:

- Room temperature: (20°C [68°F] ± 3°C [5.5°F])
- Standard atmosphere: (101.3 [29.9 inHg] ± 1.0 kPa [0.3 inHg])
- Relative humidity: 0-100%
- Compressed air quality: DIN ISO 8573-1 class 4

Accessories

0109913 | Suction cup OB35x90P Polyurethane 30/60

Spare parts

0107148 | Thread insert G3/8" male, with O-ring and mesh filter

0109912 | Suction cup OB35x90P Polyurethane 60