



Item no: 3150115S

Suction cup U6 Silicone

For handling objects with flat or slightly curved surfaces.

- Suitable for objects with flat or slightly curved surfaces.
- Also used for concave objects.

General

Application	Plastic injection molded parts
Suction cup shape	Universal
Material	Silicone (SIL)
Suction cup model	U
Weight	0.14 g
Volume	0.05 cm ³
Suction cup model	U6
Movement, vertical max.	0.3 mm
Curve radius, min.	5 mm



Fitting

Fitting option	None
Fitting size	None
Fitting style	None
Fitting type	None

Dimension

Height	7 mm
Outer diameter	7 mm


Performance - lifting forces

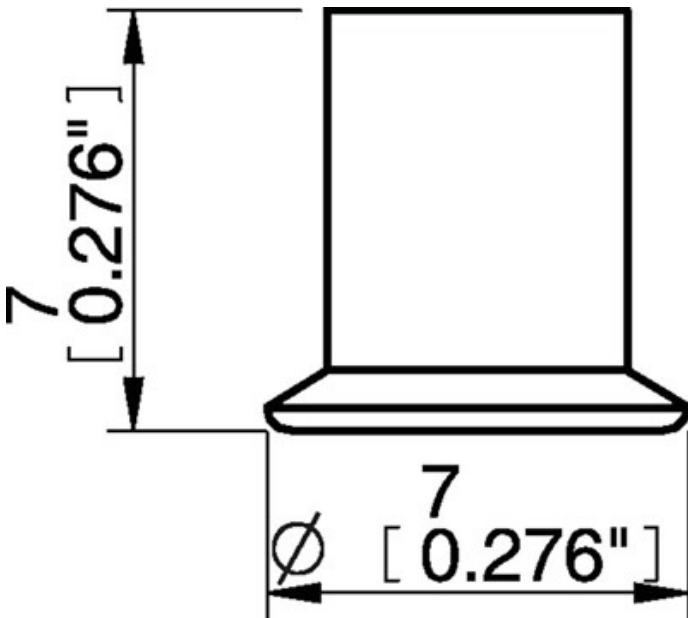
	U6		
20 -kPa		0.5 N	0.5 N
60 -kPa		1.7 N	1.5 N
90 -kPa		2.5 N	2 N

Material

Name	SIL
Colour	Red
Temperature	-40 - 200 °C
Hardness	50 °Shore A

	SIL
Alcohol	++
Concentrated acids	-
Ethanol	n/a
Hydrolysis	+
Methanol	n/a
Oil	-
Oxidation	+++
Petrol	-
Wear resistance	++
Weather and ozone	+++

Dimensional drawings 



Values specified in the data sheet are tested at:

- Room temperature: (20°C [68°F] ± 3°C [5.5°F])
- Standard atmosphere: (101.3 [29.9 inHg] ± 1.0 kPa [0.3 inHg])
- Relative humidity: 0-100%
- Compressed air quality: DIN ISO 8573-1 class 4

3107031 | Fitting M5 male, 5-8