



Item no: 0109914

## Suction cup OB50x140P Polyurethane 60

The oval suction cups are suitable for handling of long and narrow objects and surfaces when maximum lifting force is desired. Oval suction cups are specially suitable for irregular surfaces and when level compensation is desired. This program of oval suction cups has characteristics that are specially suited... for handling of metal-sheet material.

- Suitable for level adjustment. Can handle objects with height differences and varying shapes, for example embossed or corrugated plates.
- Lifting movement to separate small and thin objects.
- In the two coloured suction cup, the bellows and the sealing lip are of different hardnesses, which makes the suction cup strong and stable and, at the same time, soft and flexible.
- DURAFLEX® are suction cups manufactured in a specially developed material that features the elasticity of rubber and wear resistance of polyurethane. The material does not leave any marks on the objects handled.

### General

Application	Mark Free
Suction cup shape	Oval Bellows
Material	Polyurethane (PU60)
Suction cup model	OB
Weight	129 g
Volume	95 cm <sup>3</sup>
Suction cup model	OB50x140P PU60
Movement, vertical max.	11.3 mm
Curve radius, min.	26 mm

Fitting

Fitting option	None
Fitting size	None
Fitting style	None
Fitting type	None

---

Dimension

Height	34.5 mm
Outer diameter	146 mm
Width	59 mm

---

Performance - lifting forces

	OB50x140P PU60	↕	↕
20 -kPa		77 N	122 N
60 -kPa		231 N	292 N
90 -kPa		368 N	396 N

---

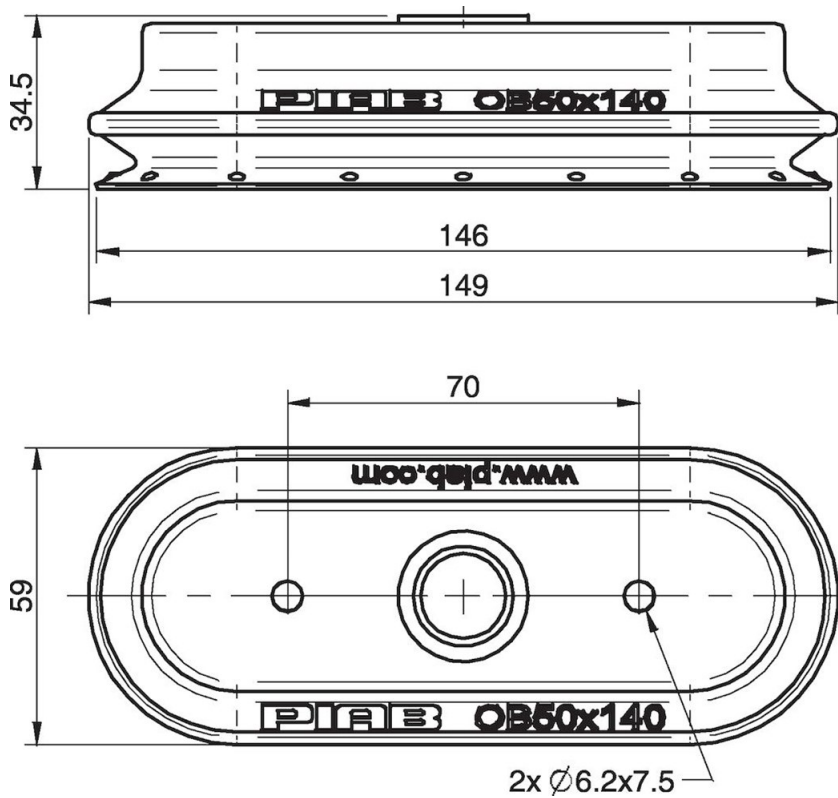
Material

Name	PU60
Colour	GreenTransparent
Temperature	10 - 50 °C
Hardness	60 °Shore A

---

	PU60
Alcohol	n/a
Concentrated acids	+
Ethanol	+
Hydrolysis	+
Methanol	-
Oil	+++
Oxidation	-
Petrol	+
Wear resistance	+++
Weather and ozone	+++

---



Values specified in the data sheet are tested at:

- Room temperature: (20°C [68°F] ± 3°C [5.5°F])
- Standard atmosphere: (101.3 [29.9 inHg] ± 1.0 kPa [0.3 inHg])
- Relative humidity: 0-100%
- Compressed air quality: DIN ISO 8573-1 class 4

#### Accessories

0107148 | Thread insert G3/8" male, with O-ring and mesh filter