

Suction cup D20-2 Silicone, G1/8" male/M5 female, with mesh filter, 0101231

- Suitable for objects with curved or irregular surfaces.
- Grips around corners and edges.



General

Curve radius	8 mm
Movement, vertical max.	2.8 mm
Application	Plastic injection molded parts
Material	Silicone (SIL)
Suction cup model	D
Suction cup shape	Deep
Volume	2.5 cm ³
Weight	2.2 g

Fitting

Fitting size	1/8", M5
Fitting style	Female/Male
Fitting type	G-thread, M-thread
Fitting option	Filter mesh

Dimension

Height	20.7 mm
Outer diameter	22 mm

Performance — lifting forces

		
20 -kPa	5.9 N	5 N
60 -kPa	15 N	8 N
90 -kPa	18 N	8.5 N

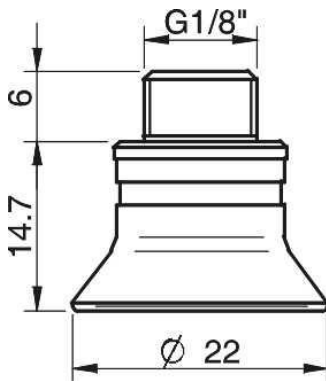
Material

	Silicone (SIL)
Colour	Red
Hardness	50 °Shore A
Temperature	-40 – 200 °C

Material resistance

	Silicone (SIL)
Alcohol	++
Concentrated acids	-
Ethanol	N/A
Hydrolysis	+
Methanol	N/A
Oil	-
Oxidation	+++
Petrol	-
Wear resistance	++
Weather and ozone	+++

Dimensional drawings



Values specified in the data sheet are tested at:

Room temperature	(20°C [68°F] ± 3°C [5.5°F])
Standard atmosphere	(101.3 [29.9 inHg] ± 1.0 kPa [0.3 inHg])
Relative humidity	0-100%
Compressed air quality	DIN ISO 8573-1 class 4

Spare parts

	Item no.
Suction cup D20-2 Silicone	0101124
Fitting G1/8" male/M5 female, with mesh filter	0101152

Accessories

	Item no.
Suction cup D20-2 Chloroprene	0101123
Fitting M5 female	3250003
Fitting G1/8" male, with mesh filter	3250085
Fitting 1/8" NPT male, with mesh filter	3250088
Fitting G1/8" male/M5 female	3250004
Fitting 5xM5 female	0100260
Fitting G1/8" male/M5 female, PA	3150196
Fitting M5 female, with dual flow control valve	3251001
Fitting 1/8" NPT male, with dual flow control valve	3251003
Fitting G1/8" male/M5 female, with dual flow control valve	3251004
Fitting 5xM5 female, with dual flow control valve	3251005