

Suction cup U6 Silicone, M5 male, 3150003S



- Suitable for objects with flat or slightly curved surfaces.
- Also used for concave objects.

General

Curve radius	5 mm
Movement, vertical max.	0.3 mm
Application	Plastic injection molded parts
Material	Silicone (SIL)
Suction cup model	U
Suction cup shape	Universal
Volume	0.05 cm ³
Weight	0.14 g

Fitting

Fitting size	M5
Fitting style	Male
Fitting type	M-thread
Fitting option	None

Dimension

Height	14.5 mm
Outer diameter	7 mm

Performance — lifting forces

		
20 -kPa	0.5 N	0.5 N
60 -kPa	1.7 N	1.5 N
90 -kPa	2.5 N	2 N

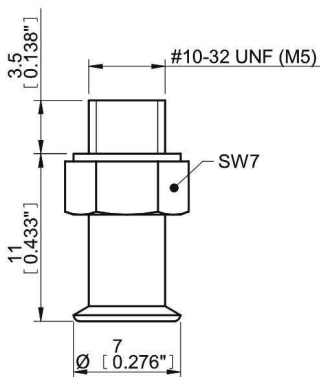
Material

	Silicone (SIL)
Colour	Red
Hardness	50 °Shore A
Temperature	-40 – 200 °C

Material resistance

	Silicone (SIL)
Alcohol	++
Concentrated acids	-
Ethanol	N/A
Hydrolysis	+
Methanol	N/A
Oil	-
Oxidation	+++
Petrol	-
Wear resistance	++
Weather and ozone	+++

Dimensional drawings



Values specified in the data sheet are tested at:

Room temperature	(20°C [68°F] ± 3°C [5.5°F])
Standard atmosphere	(101.3 [29.9 inHg] ± 1.0 kPa [0.3 inHg])
Relative humidity	0-100%
Compressed air quality	DIN ISO 8573-1 class 4

Spare parts

	Item no.
Fitting M5 male, 5-8	3107031
Suction cup U6 Silicone	3150115S

Accessories

	Item no.
Suction cup U6 HNBR	0200888
Suction cup U6 Chloroprene	3150115