



Item no: 0101898

Suction cup B110-2 Silicone with filter, G1/2" female, with mesh filter

Several short bellows cups in one lifting device can handle objects with height differences and varying shapes. The bellows also provide a slight lifting movement to separate thin items. Materials used are silicone, conductive silicone, chloroprene, HNBR and nitrile-PVC.

- Suitable for level adjustment. Several short bellows in one lifting device can handle objects with height differences and varying shapes, for example embossed or corrugated plates.
- Lifting movement to separate small and thin objects.
- Only lightweight objects should be handled when the lifting force is parallel to the surface of the object, in order to achieve good precision and safe lifting movement.

General

Item number, alternative	S.B110-2S50.G12F.50
Application	PlasticInjectionMoldedParts, DrySheetMetal
Suction cup shape	Bellows
Material	Silicone (SIL)
Suction cup model	B
Weight	120 g
Volume	310 cm ³
Suction cup model	B110
Movement, vertical max.	34.6 mm
Curve radius, min.	60 mm


Fitting

Fitting option	Filter mesh
Fitting size	1/2"
Fitting style	Female
Fitting type	G-thread

Dimension

Height	70.6 mm
Outer diameter, actuated	130.6 mm
Outer diameter	112 mm

Performance - lifting forces

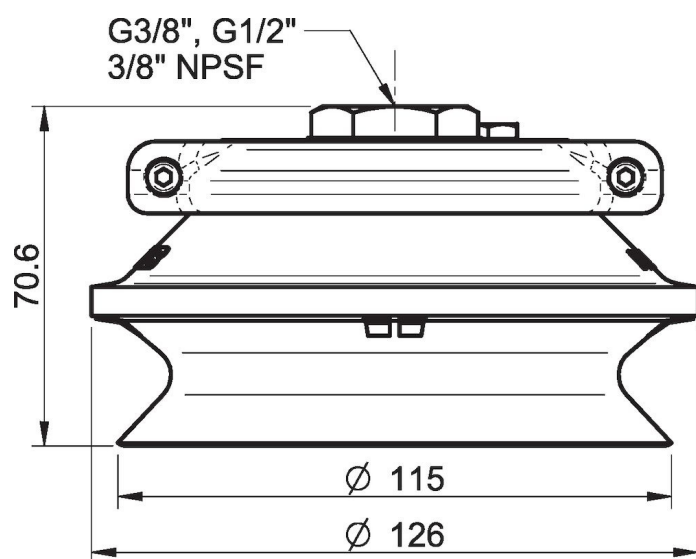
	B110	
20 -kPa		137 N
60 -kPa		343 N
90 -kPa		461 N

Material

Name	SIL
Colour	Red
Temperature	-40 - 200 °C
Hardness	50 °Shore A

	SIL
Alcohol	++
Concentrated acids	-
Ethanol	n/a
Hydrolysis	+
Methanol	n/a
Oil	-
Oxidation	+++
Petrol	-
Wear resistance	++
Weather and ozone	+++

Dimensional drawings



Values specified in the data sheet are tested at:

- Room temperature: (20° C [68° F] ± 3° C [5.5° F])
 - Standard atmosphere: (101.3 [29.9 inHg] ± 1.0 kPa [0.3 inHg])
 - Relative humidity: 0-100%
 - Compressed air quality: DIN ISO 8573-1 class 4
-

Accessories

3250097S | Suction cup B110-2 Silicone

0101944 | Suction cup B110-2 Nitrile-PVC with filter

3250097P | Suction cup B110-2 Nitrile-PVC

3250007 | Fitting G1/2" female AI, with mesh filter

0100559 | Fitting 110, 3/8" NPSF female, with mesh filter

0100557 | Fitting 110 G3/8" female, with mesh filter

0201150 | Filter D=118, 10 pcs, for B110-2

Spare parts

0101945 | Suction cup B110-2 Silicone with filter

0100561 | Fitting 110, G1/2" female, with mesh filter