

# Suction cup B10-2 Silicone 1.5 Bellows, M5 male, 3150023S



- Suitable for level adjustment.
- Lifting movement to separate small and thin objects.
- Only lightweight objects should be handled when the lifting force is parallel to the surface.

## General

Item number, alternative	E12021022
Curve radius	4 mm
Movement, vertical max.	4.5 mm
Application	Plastic injection molded parts, Dry sheet metal
Material	Silicone (SIL)
Weight	1 – 3 g

## Performance – lifting forces

		
20 -kPa	1.5 N	1.77 N
60 -kPa	3.4 N	2.41 N
90 -kPa	4.9 N	2.82 N

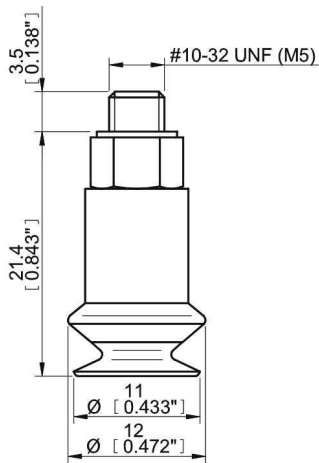
## Material

	Silicone (SIL)
Colour	Red
Hardness	50 °Shore A
Temperature	-40 – 200 °C

## Material resistance

	Silicone (SIL)
Alcohol	++
Concentrated acids	-
Ethanol	N/A
Hydrolysis	+
Methanol	N/A
Oil	-
Oxidation	+++
Petrol	-
Wear resistance	++
Weather and ozone	+++

## Dimensional drawings



Diameter	10 mm (A)
Thread	M5 in (B)

## Values specified in the data sheet are tested at:

Room temperature	(20°C [68°F] ± 3°C [5.5°F])
Standard atmosphere	(101.3 [29.9 inHg] ± 1.0 kPa [0.3 inHg])
Relative humidity	0-100%
Compressed air quality	DIN ISO 8573-1 class 4

## Spare parts

	Item no.
Fitting M5 male, 10-15	3107030
Suction cup B10-2 Silicone	3150101S

## Accessories

	Item no.
Suction cup B10-2 Chloroprene	3150101
Suction cup B10-2 HNBR	0128692