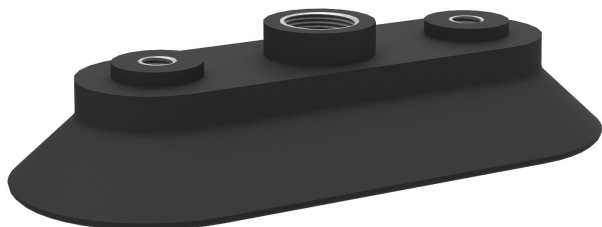


Suction cup OC60x140 Nitrile, G3/8" female, 3350011

- Suitable for handling oblong objects with flat or curved surface.
- Good stability and little inherent movement.
- Thick, durable lip.



General

Curve radius	200 mm
Movement, vertical max.	7.5 mm
Application	Dry sheet metal
Material	Nitrile (NBR)
Suction cup model	OC
Suction cup shape	Oval Concave
Volume	52 cm ³
Weight	160 g

Fitting

Fitting size	3/8"
Fitting style	Female
Fitting type	G-thread
Fitting option	None

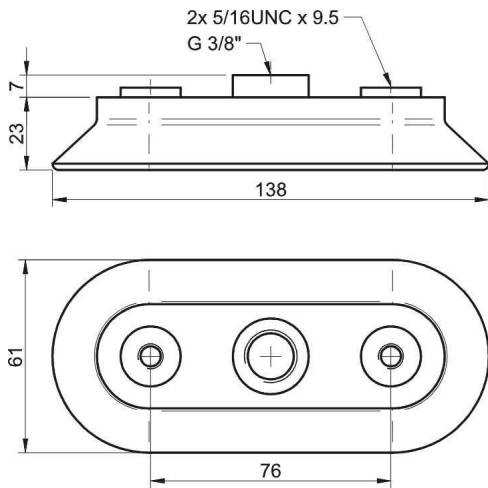
Dimension

Height	30 mm
Outer diameter	138 mm
Width	61 mm

Performance — lifting forces

		
20 -kPa	132 N	186 N
60 -kPa	373 N	373 N
90 -kPa	520 N	510 N

Dimensional drawings



Values specified in the data sheet are tested at:

Room temperature	(20°C [68°F] ± 3°C [5.5°F])
Standard atmosphere	(101.3 [29.9 inHg] ± 1.0 kPa [0.3 inHg])
Relative humidity	0-100%
Compressed air quality	DIN ISO 8573-1 class 4