

Item no: 0101941

Suction cup F150 Nitrile-PVC, G1/2" female, with cone valve

Suitable for flat objects such as cardboard, sheet metal, glass and porous materials. The cleats stop deformation by preventing suction of the object into the cup. The suction cup has good stability and very little movement. Also suitable when the lifting force is parallel to the surface as the cleats increase friction.

- Suitable for flat objects.
- Good stability and little inherent movement.
- Recommended when the lifting force is parallel to the surface of the object.
- Cleats prevent thin, sensitive objects from being deformed and gives extra friction when the lifting force is parallel.

General

| | |
|-------------------------|---------------------|
| Application | Dry sheet metal |
| Suction cup shape | Flat |
| Material | Nitrile-PVC (NPV) |
| Suction cup model | F |
| Weight | 200 g |
| Volume | 160 cm ³ |
| Suction cup model | F150 |
| Movement, vertical max. | 6 mm |
| Curve radius, min. | 500 mm |

Fitting

| | |
|----------------|------------|
| Fitting option | Cone valve |
| Fitting size | 1/2" |
| Fitting style | Female |
| Fitting type | G-thread |

Dimension

| | |
|--------------------------|---------|
| Height | 65.7 mm |
| Outer diameter, actuated | 157 mm |
| Outer diameter | 152 mm |

Performance - lifting forces

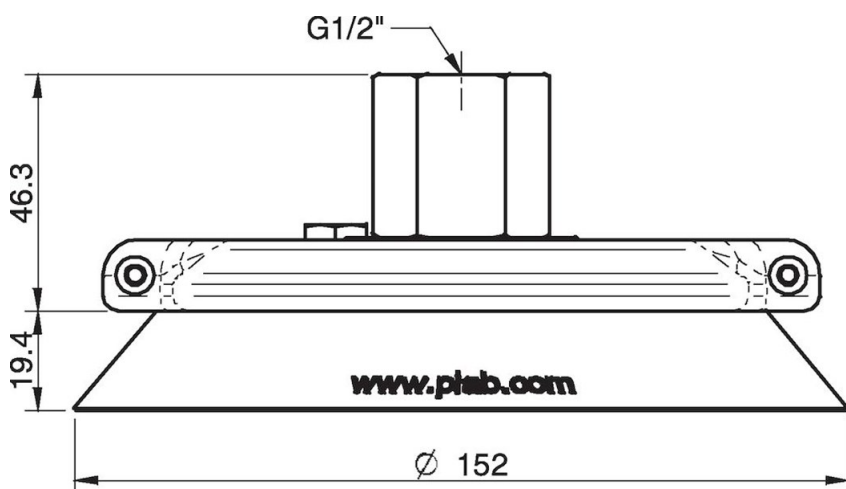
| | F150 | $\hat{\Delta}$ | $\hat{\Delta}$ |
|---------|------|----------------|----------------|
| 20 -kPa | | 300 N | 250 N |
| 60 -kPa | | 850 N | 600 N |
| 90 -kPa | | 1100 N | 800 N |

Material

| | |
|-------------|-------------|
| Name | NPV |
| Colour | Black |
| Temperature | 0 - 90 °C |
| Hardness | 50 °Shore A |

| | NPV |
|--------------------|-----|
| Alcohol | ++ |
| Concentrated acids | + |
| Ethanol | n/a |
| Hydrolysis | ++ |
| Methanol | n/a |
| Oil | +++ |
| Oxidation | ++ |
| Petrol | +++ |
| Wear resistance | +++ |
| Weather and ozone | ++ |

Dimensional drawings $\hat{\Delta}$



Values specified in the data sheet are tested at:

- Room temperature: (20° C [68° F] ± 3° C [5.5° F])
 - Standard atmosphere: (101.3 [29.9 inHg] ± 1.0 kPa [0.3 inHg])
 - Relative humidity: 0-100%
 - Compressed air quality: DIN ISO 8573-1 class 4
-

Accessories

3150039P | Suction cup F150 Nitrile-PVC with washer

3150039S | Suction cup F150 Silicone with washer

3150133S | Suction cup F150 Silicone

0100564 | Fitting 150, G1/2" female, with mesh filter

0100567 | Fitting 150, G3/4" female, with mesh filter

3250008 | Fitting G1/2" female Al, with mesh filter

Spare parts

3150133P | Suction cup F150 Nitrile-PVC

0100566 | Fitting 150, G1/2" female, with cone valve