

Item no: 0101879

Suction cup F75 Nitrile-PVC, G1/2" female, with cone valve

Suitable for flat objects such as cardboard, sheet metal, glass and porous materials. The cleats stop deformation by preventing suction of the object into the cup. The suction cup has good stability and very little movement. Also suitable when the lifting force is parallel to the surface as the cleats increase friction.

- Suitable for flat objects.
- Good stability and little inherent movement.
- Recommended when the lifting force is parallel to the surface of the object.
- Cleats prevent thin, sensitive objects from being deformed and gives extra friction when the lifting force is parallel.

General

Application	Dry sheet metal
Suction cup shape	Flat
Material	Nitrile-PVC (NPV)
Suction cup model	F
Weight	23 g
Volume	20 cm ³
Suction cup model	F75
Movement, vertical max.	3 mm
Curve radius, min.	150 mm



Fitting

Fitting option	Cone valve
Fitting size	1/2"
Fitting style	Female
Fitting type	G-thread

Dimension

Outer diameter, actuated 79 mm


Performance - lifting forces

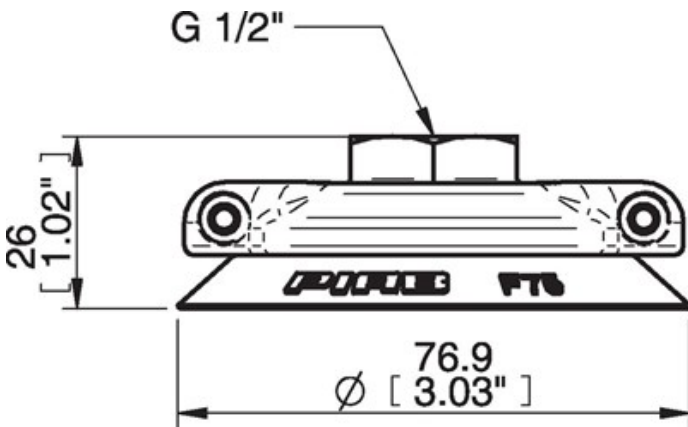
	F75		
20 -kPa		80 N	60 N
60 -kPa		200 N	110 N
90 -kPa		270 N	140 N

Material

Name	NPV
Colour	Black
Temperature	0 - 90 °C
Hardness	50 °Shore A

	NPV
Alcohol	++
Concentrated acids	+
Ethanol	n/a
Hydrolysis	++
Methanol	n/a
Oil	+++
Oxidation	++
Petrol	+++
Wear resistance	+++
Weather and ozone	++

Dimensional drawings 



Values specified in the data sheet are tested at:

- Room temperature: (20°C [68°F] ± 3°C [5.5°F])
 - Standard atmosphere: (101.3 [29.9 inHg] ± 1.0 kPa [0.3 inHg])
 - Relative humidity: 0-100%
 - Compressed air quality: DIN ISO 8573-1 class 4
-

Accessories

- 3150131S | Suction cup F75 Silicone
- 3150131T | Suction cup F75 HNBR
- 0127820 | Fitting G1/2" female AI, with mesh filter
- 0100551 | Fitting 75, G3/8" female, with mesh filter
- 0100552 | Fitting 75, G3/8" female, with cone valve
- 0100555 | Fitting 75, G1/2" female, with mesh filter
- 0100553 | Fitting 75, 3/8" NPSF female, with mesh filter
- 0100548 | Fitting 75, 1/8" NPSF female, with mesh filter
- 0127819 | Fitting 1/8" NPSF female AI, with mesh filter
- 0127821 | Fitting 1/4" NPT female AI, with mesh filter & 10-32 addl. conn.

Spare parts

- 3150131P | Suction cup F75 Nitrile-PVC
- 0100556 | Fitting 75, G1/2" female, with cone valve