

Item no: 0101917

Suction cup F110 Nitrile-PVC, G1/2" female, with mesh filter

Suitable for flat objects such as cardboard, sheet metal, glass and porous materials. The cleats stop deformation by preventing suction of the object into the cup. The suction cup has good stability and very little movement. Also suitable when the lifting force is parallel to the surface as the cleats increase friction.

- Suitable for flat objects.
- Good stability and little inherent movement.
- Recommended when the lifting force is parallel to the surface of the object.
- Cleats prevent thin, sensitive objects from being deformed and gives extra friction when the lifting force is parallel.

General

Application	Dry sheet metal
Suction cup shape	Flat
Material	Nitrile-PVC (NPV)
Suction cup model	F
Weight	66 g
Volume	70 cm ³
Suction cup model	F110
Movement, vertical max.	4 mm
Curve radius, min.	250 mm



Fitting

Fitting option	Filter mesh
Fitting size	1/2"
Fitting style	Female
Fitting type	G-thread

Dimension

Height	36.2 mm
Outer diameter, actuated	115.3 mm
Outer diameter	112 mm


Performance - lifting forces

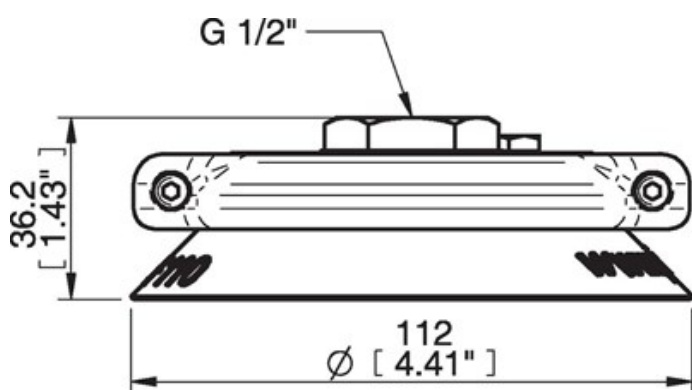
	F110		
20 -kPa		140 N	140 N
60 -kPa		420 N	250 N
90 -kPa		560 N	300 N

Material

Name	NPV
Colour	Black
Temperature	0 - 90 °C
Hardness	50 °Shore A

	NPV
Alcohol	++
Concentrated acids	+
Ethanol	n/a
Hydrolysis	++
Methanol	n/a
Oil	+++
Oxidation	++
Petrol	+++
Wear resistance	+++
Weather and ozone	++

Dimensional drawings 



Values specified in the data sheet are tested at:

- Room temperature: (20°C [68°F] ± 3°C [5.5°F])
- Standard atmosphere: (101.3 [29.9 inHg] ± 1.0 kPa [0.3 inHg])
- Relative humidity: 0-100%
- Compressed air quality: DIN ISO 8573-1 class 4

Accessories

- 3150038P | Suction cup F110 Nitrile-PVC with washer
- 3150038S | Suction cup F110 Silicone with washer
- 3150038T | Suction cup F110 HNBR with washer
- 3150132S | Suction cup F110 Silicone
- 3150132T | Suction cup F110 HNBR
- 0100557 | Fitting 110 G3/8" female, with mesh filter
- 0100559 | Fitting 110, 3/8" NPSF female, with mesh filter
- 0100563 | Fitting 110, G1/2" female, with cone valve
- 3250007 | Fitting G1/2" female AI, with mesh filter

Spare parts

- 3150132P | Suction cup F110 Nitrile-PVC
- 0100561 | Fitting 110, G1/2" female, with mesh filter