



Item no: 0101155

Fitting G1/8" male/M5 female, with cone valve


- Suits suction cups: B20, B20MF, BL20-2, D20-2, F20, F20MF, U20, B30, F25, FC20P, FC25P, D30-2, F30-2, U30
- With cone valve only for: F30-2

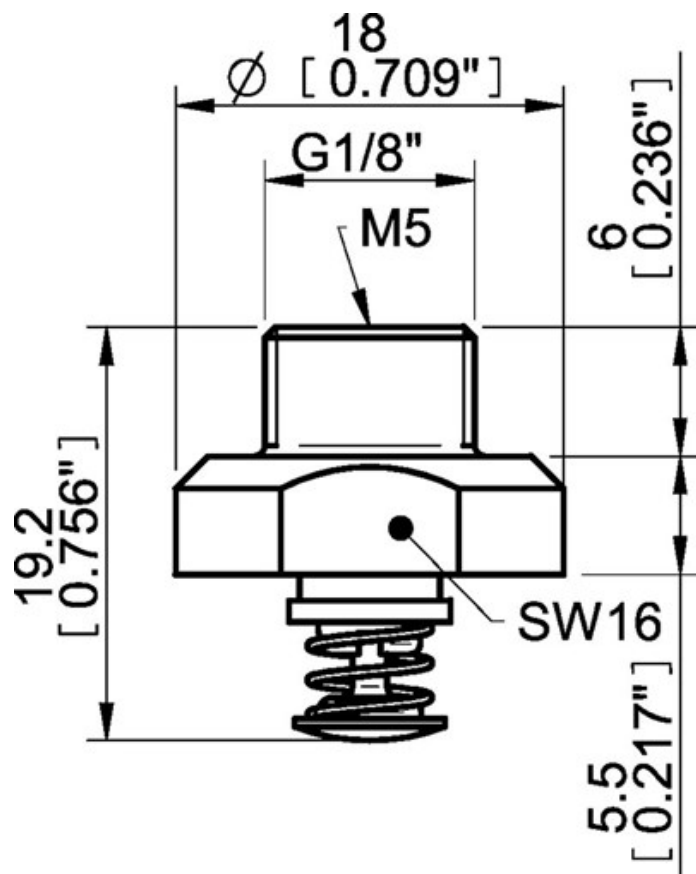
General

Material	SS, AL, NBR
Temperature	-4 - 194 °F
Weight, min.	0.14 oz

Fitting

Fitting size	18, M5
Fitting style	Female/Male
Fitting type	G, M

Dimensional drawings 



Spare parts

31.50.055 | Cone valve for F30-2