



Item no: 0100566

### Fitting 150, G1/2" female, with cone valve

A variety of fittings for suction cups.

- Suits suction cups: B150, F150
- With cone valve only for: F150

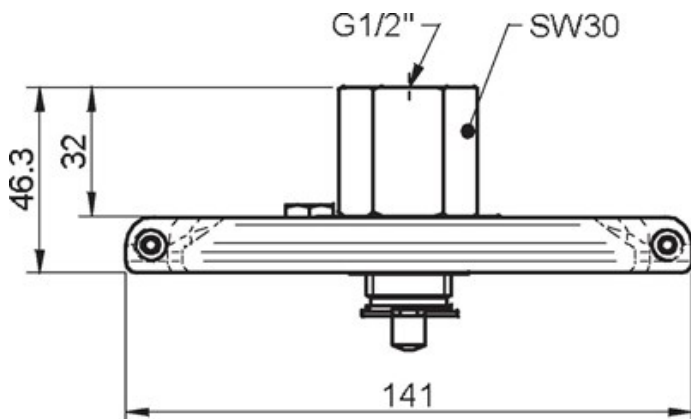
#### General

Material	SS, AL, CUZN, NBR
Temperature	-20 - 90 °C
Weight, min.	415 g

#### Fitting

Fitting size	3/4"
Fitting style	Female
Fitting type	G-thread

#### Dimensional drawings



Spare parts

3350034 | Cone valve for Fitting 110 & 150